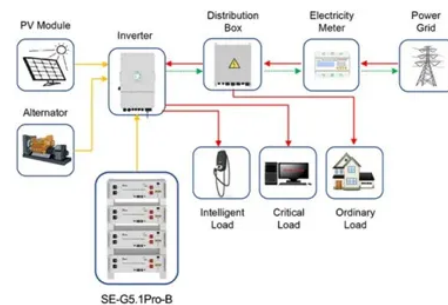




100kW off-grid solar energy storage cabinet grid inverter brand in north america



Application scenarios of energy storage battery products

Overview

Designed for demanding industrial applications, off-grid setups, and solar-powered infrastructures, it combines a 100kW hybrid inverter, 207kWh of scalable LiFePO4 batteries, and intelligent EMS in a single cabinet. We offer full OEM & ODM support: The Symtech Solar Battery Energy Storage Cabinet (MEG 100kW x 215kWh) is a fully integrated, PV-ready hybrid energy storage solution designed for both on-grid and off-grid applications. Built with Tier 1 LFP battery cells (EVE), this system delivers safe, reliable, and long-lasting performance. This industrial and commercial. Ship to the closest hub to avoid possible residential and lift-gate fees Ship to my confirmed business address that has a dock or forklift Ship to my confirmed business address Ship to my residential address Special Instructions?

The item you are trying to purchase is currently out of stock. Equipped with a reliable Growatt inverter, it supports flexible battery options including rack-mount and stackable batteries.



Article Content

Container Energy Storage 100kw Solar Inverter,215kwh lifepo4 battery ...

- Empower your business with a 100KW solar system that captures natural sunlight and converts it into clean, sustainable energy. - ...

SUNWAY 50-100kW Outdoor Cabinet Energy Storage System With ...

The SUNWAY 50-100 kW Outdoor Cabinet ESS is an all-in-one energy storage solution designed for commercial and industrial applications. Equipped with a reliable Growatt inverter, it supports flexible ...

MEGATRON 100KW-MEGACUBE-Global Leading ...

MEGATRON 100kW Battery Energy Storage Systems have been created to be a install ready and cost effective on-grid, hybrid, off-grid commercial/industrial ...

80KW 100KW 120KW 150KW 200KW 3 phase power ...

Our three-phase 100KW inverter used with LiFePo4 battery in the off-grid solar power system: provides a sustainable and cost-effective solution for powering ...

100kW 215kWh All-in-One Battery Storage Cabinet

The iCON 100kW 215kWh Battery Storage System is a fully integrated, on or off grid battery solution that has liquid cooled battery storage (215kWh), inverter (100kW), temperature ...

100kW x 215kWh Energy Storage Cabinet

The MEG 100kW x 215kWh Cabinet is engineered as a modular energy storage building block, ideal for commercial facilities, microgrids, and community-scale projects.

MG100K All-in-One Energy Storage System 100kW 207kWh - ...

Designed for demanding industrial applications, off-grid setups, and solar-powered infrastructures, it combines a 100kW hybrid inverter, 207kWh of scalable LiFePO4 batteries, and intelligent EMS in a ...

100kW Off Grid Inverter Pure Sine Wave | Energetech ...

Volume discounts for 100kW off grid inverter pure sine wave. Order at Energetech Solar.

10kW-100kW Hybrid Solar Energy Storage System for Commercial ...

Our 10kW-100kW Hybrid Solar Energy Storage System is engineered to meet the demanding energy needs of commercial and industrial sectors, including hotels, office buildings, hospitals, and shopping ...

Contact Us

For more information, pricing, or custom solutions, please contact us:

Website: <https://www.proton-engineering.eu>

Email: info@proton-engineering.eu

Phone: +1 832 471 8952

Address: 12345 Lake City Way, Suite 200, Houston, TX 77001, USA

This document is for informational purposes only. Specifications subject to change without notice.

